



Crease Stiffness Tester for Paper



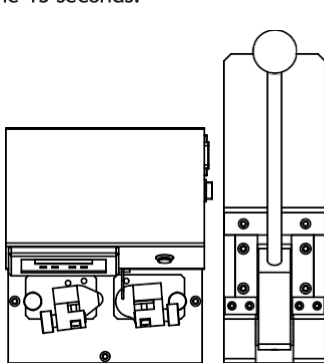
Crease Stiffness Tester is a multi-function stiffness tester, mainly used for measuring cardboard, color box (such as cigarette case cosmetic box) of the indentation force (that is, 90° crease of the rebound force), can also measure a variety of cardboard Bending stiffness is achieved on the same instrument with two measurements: 15° flexing Degrees and 90° crease stiffness.

Standards:

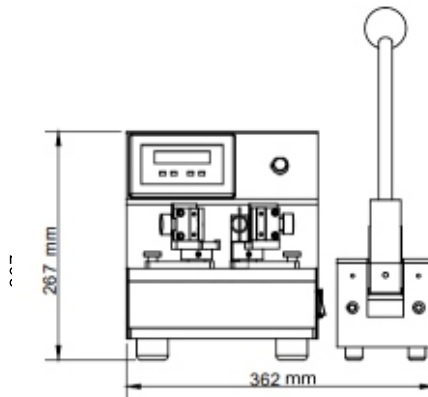
- BS 6965-Part-1-1988 • BS 3748, • PMI 068 • BS ISO 2493:1 • TAPPI T556 (15 ° Only) • SCAN P29

Features:

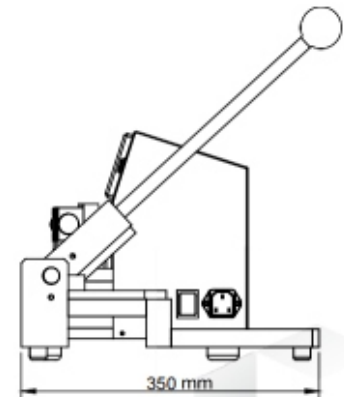
- Two independent test modes: 15° stiffness test and 90° crease force test.
- 7 segment digital display of measured force in grams.
- Mechatronics modern design concept, compact structure, elegant appearance, easy maintenance.
- Overload protection (Preset).
- Peak force value.
- Basic ease of use.
- Measuring range: 0 - 1000 grams.
- Accuracy $\pm 2\%$ of reading.
- Test time 15 seconds.



Top View



Front View



Side View



Presto Stantest Pvt. Ltd.

I-42, DLF Industrial Area Phase-1, Delhi Mathura Road, Faridabad 121003, Haryana, India
P : 9210 903 903, +91 129 4272727, 93111 24302 E : info@prestogroup.com



- Faridabad • Sonipat • Kolkata • Mumbai • Pune • Ahmedabad
- Chennai • Bangalore • Hyderabad

www.prestogroup.com

Key Specifications:

Capacity	1000 gm
Display	• 7 Segment LED (Digital)
Specimen Clamping	Strong gripper zero slippage
Accuracy	± 2%
Resolution	0.1 gm
Load Sensor	S type
Power	220V, Single phase, 50 Hz AC
Sample Cutting Die and Punch	Yes
Main line fuse protection	Yes
Bending Angle	90°
Stiffness Angle	15°

Applications:

- Paper, Paperboard Manufactures
- Packaging Manufacturers
- Packaging Development

Thank you customers for choosing us as your partners in growth !



*All the above logos are the sole property of their respective owners and are used purely for depiction purposes only.

OUR OTHER PRODUCTS :-

Box Compression Tester	Scuff Resistance Tester	Tensile Tester Digital	Spectrocolorimeter	Cobb Sizing Tester	Digital GSM Balance

www.prestogroup.com

